

Technical Information

No. 5546

Edition: 01/07

Substitutes: new
Status: valid



Xenon Short Arc Lamp

XBO[®] 4000 W/HS CL OFR

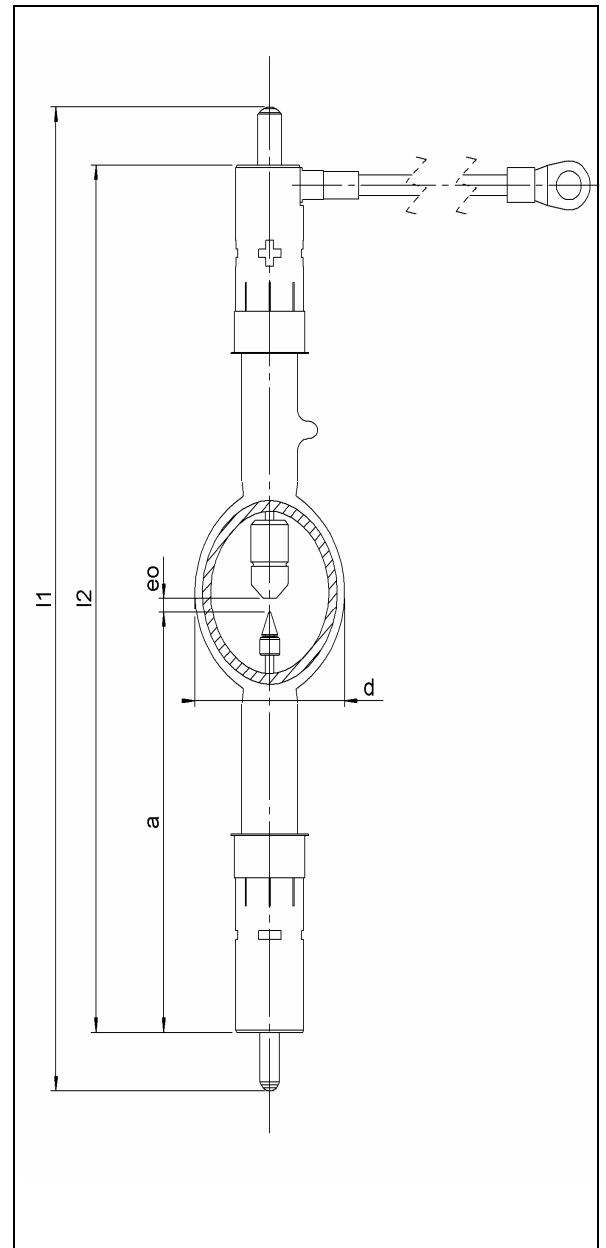
■ Product description

The OSRAM XBO[®] 4000 W/HS CL OFR is a DC-operated lamp that is especially suited for applications requiring excellent arc stability and a high luminance. The CL lamps, which stands for Classic Line, combines the classical Osram features with an optimization on bulb pricing and has the same warranty as the regular standard lamps.

■ Technical data

Order reference	XBO [®] 4000 W/HS CL OFR	
Rated lamp wattage	W	4000
Rated lamp voltage	V	28
Rated lamp current (=)	A	135
Current control range	A	80 - 150
Ignition voltage	kV _P	33
Min. open circuit voltage for cold / hot ignition	V	75 / 100
Luminous flux	lm	155000
Luminous intensity	cd	17000
Average luminance	cd/cm ²	90000
Luminous area w x h *)	mm	1.9 x 6.0
Electrode gap e (cold)	mm	7.0
Lamp length (overall) l ₁	mm	max. 410
Lamp length l ₂	mm	max. 370
LCL a	mm	171
Bulb diameter d	mm	60
Warranty	h	1000
Base	Cathode	SFa 30-7,9
	Anode	SFaX 30-9,5

*) w = luminance half width value; h = height of luminance area (corresponds to electrode gap, hot)



■ Lamp operation

Maximum permissible base temperature	230 °C
Cooling	Forced cooling / fan
Min. air flow velocity around discharge vessel	6 m/s
Magnetic arc stabilization	necessary for horizontal operation
Operating position	s 20 (vertical ± 20°; anode up) ; p 20 (horizontal ± 20°)